



## Manta Barrier

---

Specification Sheet  
MTS200000

05/11/24

**safesite**<sup>®</sup>  
F A C I L I T I E S



## Manta Barrier

The flexible design means this barrier works for the lifespan of your project. Its durable construction enables these barriers to be repositioned and reused as many times as your project requires.

Manta barriers are made from long-lasting, recyclable galvanised steel, which is powder-coated to provide high visibility and the capability to withstand all weather conditions. Each unit can be connected to another, using a removable steel pin, to form a continuous barrier system.



Line of Manta Barriers



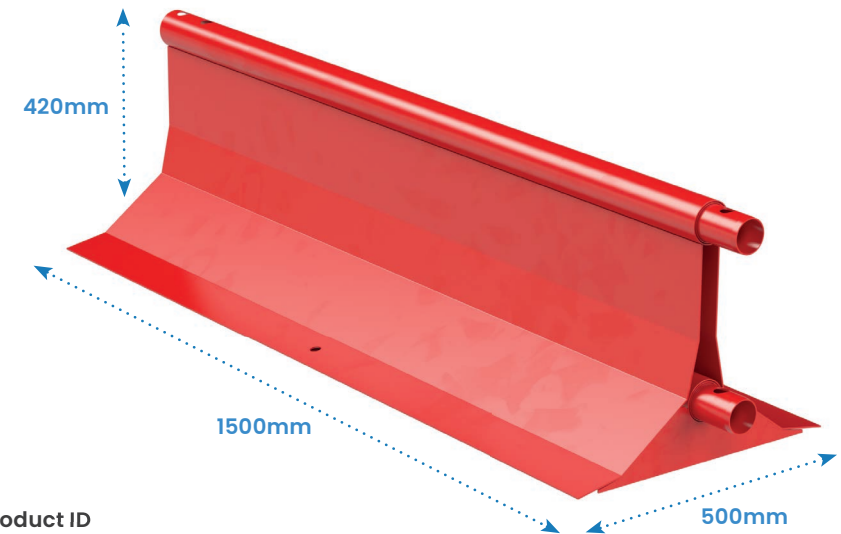
Connection Pin

### Manta Barrier Specification

Type	Height (mm)	Width (mm)	Depth (mm)	Weight (kg)	Product ID
Manta Barrier Red	500	1500	420	48	MTS200000
Manta Barrier White	500	1500	420	48	MTS200010

## Key Features

- > Crash tested to T2 W7 levels, without the need for re-enforcement bars
- > Wind tunnel classification of Class A/74mph
- > Can be used with mesh fence and steel hoarding panels
- > Stackable for easy transportation
- > Anti-vandal design
- > Accomodates 90° bends
- > Available in 2 high visibility powder coated colours





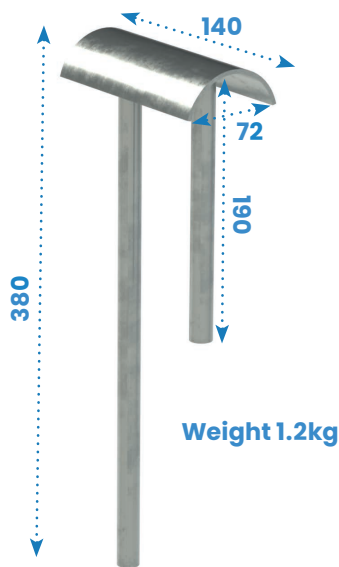
# Important Information!

## Manta Barriers Don't Need Connection Bars

The Manta Barrier still maintains its tested safety standards when also supporting either a 1.5m pedestrian fence or 3m temporary fence, this is due to the Manta Barriers innovative design and installation method which eliminates the need for a connection bar.

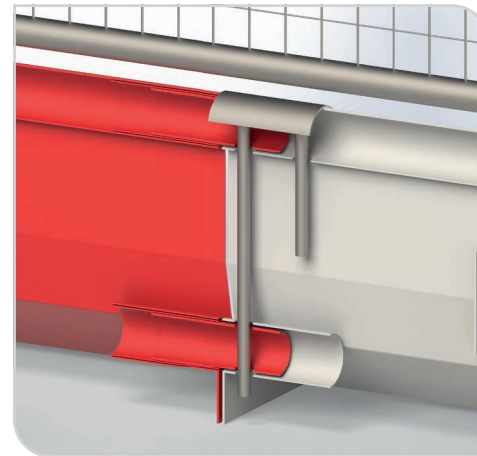
This marketing leading system not only saves time during installation, but also saves space when in transit. Regardless of whether your installation is standalone or requiring of a fence add-on, no connection bar will ever be required.

This approach to the system aids the streamlining of installation through both speed, and easy handling of the lightweight connection pin plate used to join the barriers.

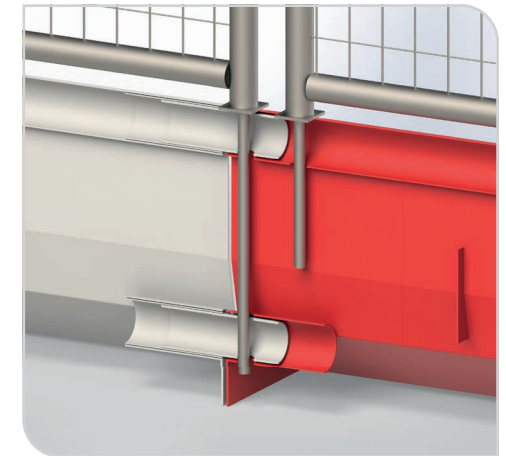


## Key Features

- > No connection bar is ever required
- > Maximises Installation times
- > Connection is achieved by pin plate when using a standalone barrier
- > Manta Barriers can also connect using the legs of the fencing add-ons to act as connection pins without reducing safety
- > Connection Pin Plate is a lightweight, easy to handle size
- > Crash tested to T2 W7 levels, inclusive of fence add-ons



Manta Barriers connected using Pin Plate



Manta Barriers connected using fence add-on bar extensions



## Manta Barrier Crash Tested

The ASI achieved by the Manta Barrier is 0.2 and THIV 13, this results in an A rating for severity which is the lowest and best result achievable.

This is a report summary of the crash test conducted by Horiba Mira Ltd, describing the dynamic impact test of the Manta Barrier System to W7 of BS EN 1317:2010. The impact conditions of this test were met with total test mass of 1300 ( $\pm 65$ ) kg at a speed of 82 ( $-0 + 7\%$ ) km/h (50.9mph), at an angle of 15.7° (+1.5, -1) degrees to the line of the barrier traffic face and therefore satisfactory. The vehicle model used to undertake the test was a Ford Focus.

The correct installation of the test item was the responsibility of the client. The length of the barrier tested was 60m (including anchor terminals), the dynamic deflection was 1.6m and the working width was 2.2m. No part of the barrier penetrated the interior of the vehicle and no part of the barrier was ejected.

## Crash Test Summary

- › Best possible result for ASI & THIV assessment, achieving an A rating
- › Passed W7 of BS EN 1317:2010 impact test
- › Withstood 1300kg impact at 50.9mph from a 15.7° angle
- › No reinforcement bar used or required
- › Velocity and angle values were within tolerance limits
- › The vehicle did not breach the device
- › The vehicle did not roll over within the test area
- › No part of the vehicle was detached

Initial point of impact



Degree of deflection at point of highest force

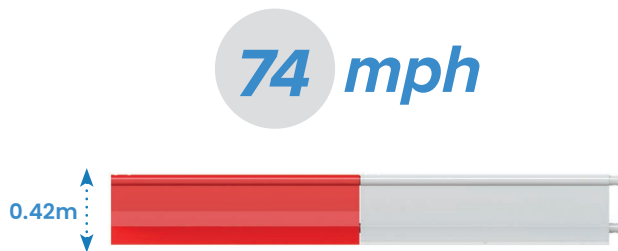




## Manta Barrier Wind Tested

The Manta Barrier has been meticulously tested within an internationally renowned wind tunnel testing facility, during which the barrier system achieved two classification A passes and one classification B pass.

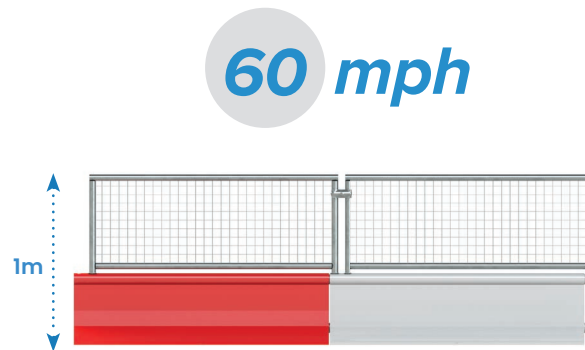
Three arrangements of the Manta barrier system have been tested, these include two adjoining Manta barriers without any add-ons, two adjoining Manta barriers with the lightweight pedestrian fence add-on, and two adjoining Manta barriers with the anti-climb mesh fence add-on. Each arrangement of the system achieved a high level of wind resistance, with the exact resistance figures detailed above the diagrams to the right.



### Classification: A

Speed Limit Reached: 1

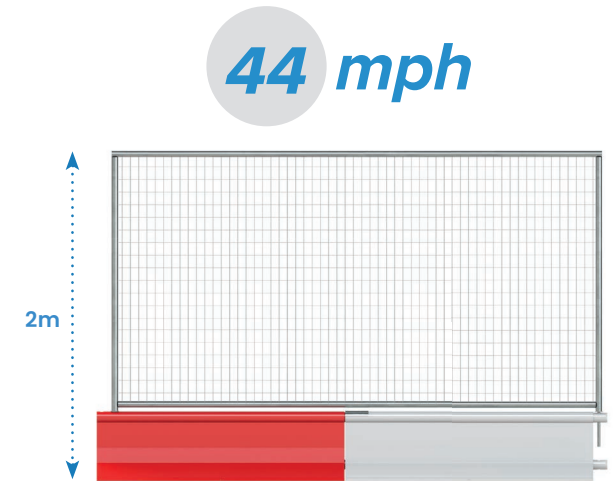
20km/h (33.3m/s)



### Classification: A

Speed Limit Reached:

97km/h (26.9m/s)



### Classification: B

Speed Limit Reached:

72km/h (20.0m/s)



## Manta Barrier 1.5m Pedestrian Fence

The Manta Barrier Pedestrian fence is very lightweight, weighing only 5kg. Despite its light weight, the pedestrian fence extension increases the overall height of the barrier system to a substantial 1m.

This quick and easy to install extension provides the additional security often needed to protect vehicle drivers, workforce and pedestrians.

By using the pedestrian fence extension you have the reassurance of knowing the extra height achieved will reduce the risk of a passer-by perimeter breach.



1.5m Pedestrian Fence



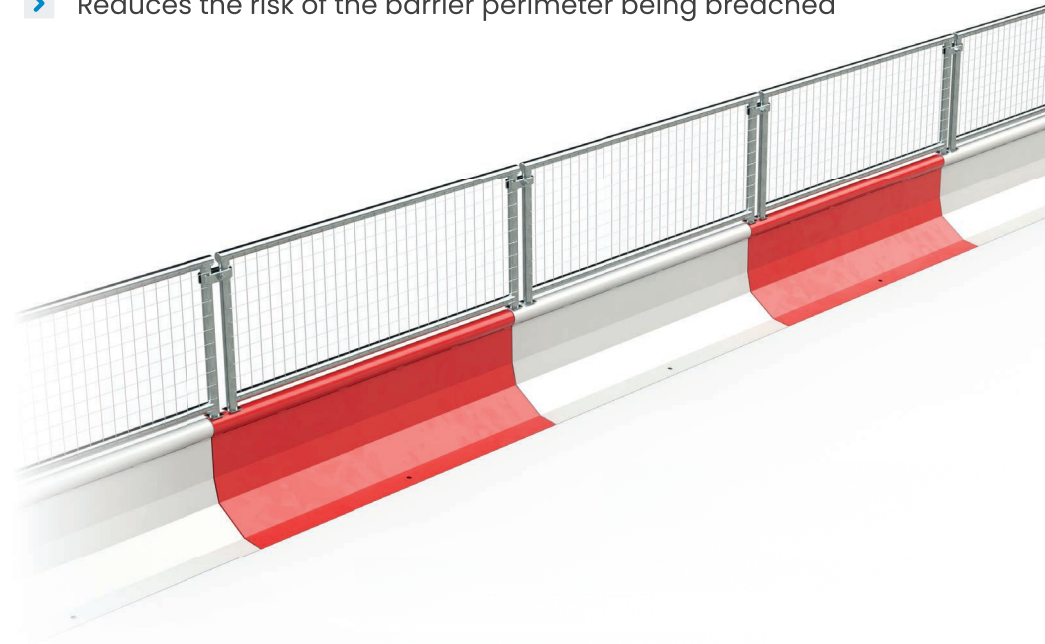
In-Line Manta Pedestrian Gate

### 1.5m Pedestrian Fence Specification

Type	Height (mm)	Width (mm)	Depth (mm)	Weight (kg)	Product ID
1.5m Pedestrian Fence	580	1463	38	6	MTS200450

## Key Features

- › Increases overall height to 1m
- › Legs double up as connection pins
- › Anti-climb mesh
- › Quick and easy to install
- › Provides protection to workforce and pedestrians
- › Manufactured using galvanised steel
- › Reduces the risk of the barrier perimeter being breached





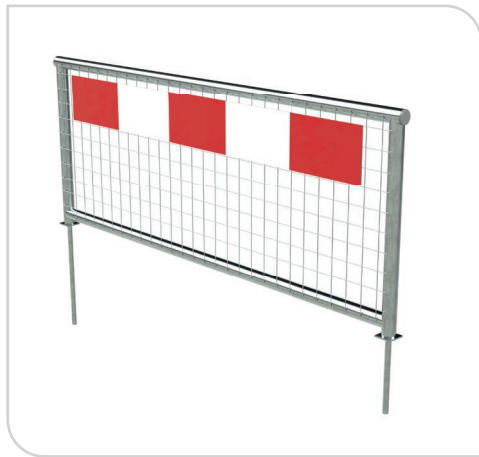


## Manta Barrier Chapter 8 System

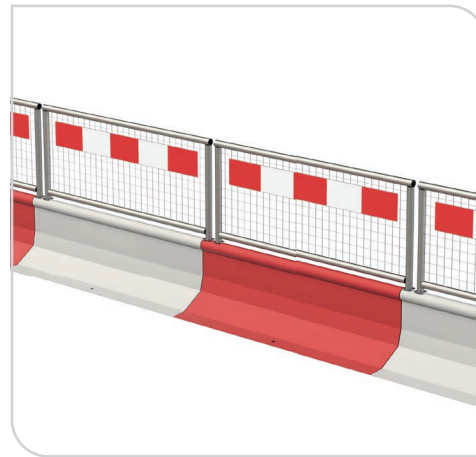
This enhanced version of the 1.5m pedestrian fence has high visibility and highly reflective red and white markings.

The additional high visibility markings ensure compliance to Chapter 8 requirements, the system is also compliant to road traffic standards BSEN8442 & BSEN12899-1.

Our Manta Barrier Chapter 8 System is strong enough to remain stable in adverse weather conditions due to the substantial 42kg Manta Barrier base unit, this is significant when you consider many Chapter 8 barriers weigh less than 15kg.



1.5m Chapter 8 Pedestrian Fence



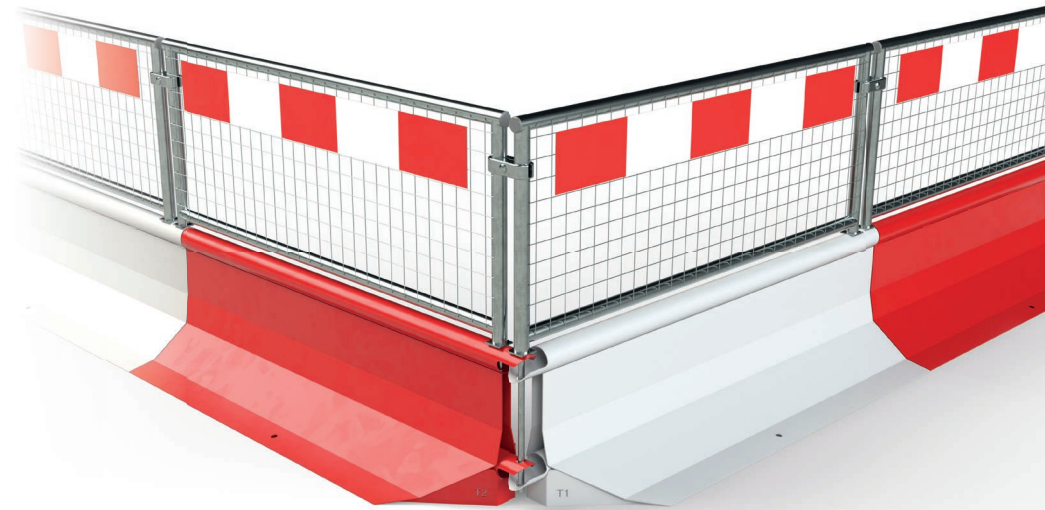
Row of Manta Barriers with Chapter 8 Pedestrian Fence

### 1.5m Chapter 8 Pedestrian Fence Specification

Type	Height (mm)	Width (mm)	Depth (mm)	Weight (kg)	Product ID
1.5m Pedestrian Fence	580	1463	38	6	MTS200500

## Key Features

- ▶ High visibility
- ▶ Legs double up as connection pins
- ▶ Anti-climb mesh
- ▶ Chapter 8 compliant
- ▶ Provides protection to workforce and pedestrians
- ▶ Manufactured using galvanised steel
- ▶ Compliant to requirements BSEN8442 & BSEN12899-1
- ▶ Increases overall height to 1m

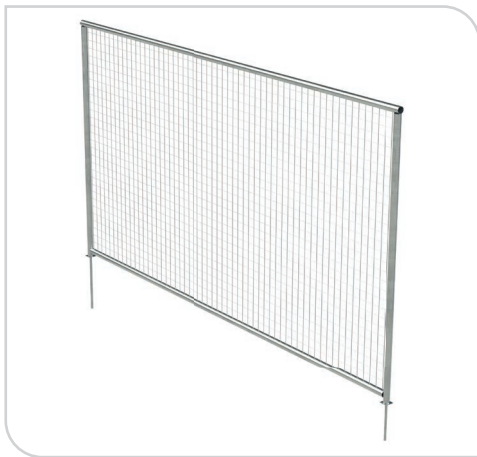




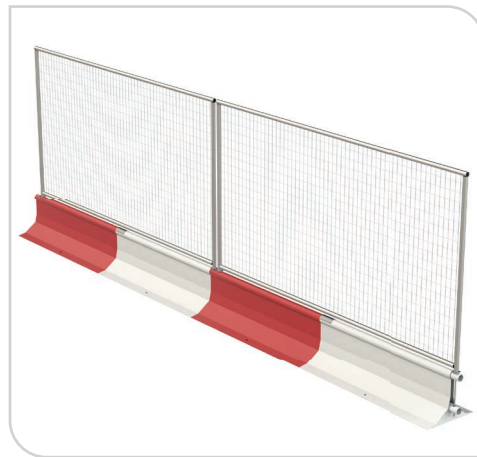
## Manta Barrier 3m Fence

In addition to its stand alone benefits, the Manta Barrier can accommodate one of the lightest 3m anti-climb fence panels on the market, allowing for greater ease when manually handling.

The add-on panel massively increases the overall height to a lofty 2m. This quick and easy to install extension provides the reassurance of knowing the chances of a perimeter breach are dramatically reduced.



1.5m Pedestrian Fence



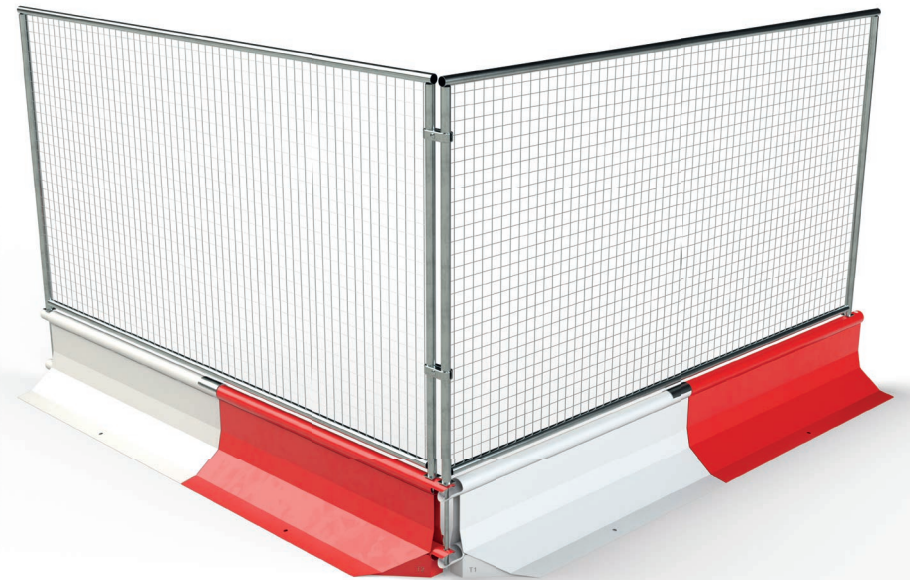
Row of Manta Barriers with 3m Fencing

### 3m Fence Specification

Type	Height (mm)	Width (mm)	Depth (mm)	Weight (kg)	Product ID
3m Fence	1580	2968	38	15	MTS200400

## Key Features

- › Increases overall height to 2m
- › Legs double up as connection pins
- › Anti-climb mesh
- › Quick and easy to install
- › Provides protection to workforce and pedestrians
- › Manufactured using galvanised steel
- › Drastically Reduces the risk of the barrier perimeter being breached







## Manta Barrier Hoarding

Our hoarding come in to sizes 2m and 2.4m and can be install on any hard footing, making it ideal for roadworks and site perimeters.

It has a sturdy corrugated galvanised steel construction and bright powder coated colours to demark and obscure site boundary alongside offer the crash protection of the manta barrier. The hoarding utilises the same slot in installation as the rest of the manta's fencing option so installation is quick and easy.



2.4m Hoarding Panel



Row of Manta Barriers with Hoarding panels

### Hoarding Fence Specification

Type	Height (mm)	Width (mm)	Depth (mm)	Weight (kg)	Product ID
2m Hoarding Panel	1580	1463	38	19	MTS200020
2.4m Hoarding Panel	1980	1463	38	23	MTS200050
2m Hoarding Infill Panel	1450	140	1.2	2	MTS200080
2.4m Hoarding Infill Panel	1850	140	1.2	3	MTS200090
Hoarding Fence Stabiliser	1905	130	38	2	MTS200095

## Key Features

- › Increases overall height to 2m or 2.4m
- › Legs double up as connection pins
- › Corrugated Steel Construction
- › Quick and easy to install
- › Provides protection and obscures sight lines
- › Manufactured using galvanised steel
- › Powder coated in hi vis red and white or galvanised
- › Drastically Reduces the risk of the barrier perimeter being breached





## Manta Barrier Corner Sections

Manta Barrier Corner Sections give the ability to rotate units at 90° to accommodate right angles and bends.

Common applications include defining pedestrian walkways and vehicle access, for example, to create a pit lane on a construction site or anywhere that requires the demarcation of vehicle traffic and footfall for pedestrian, visitor and workforce safety.



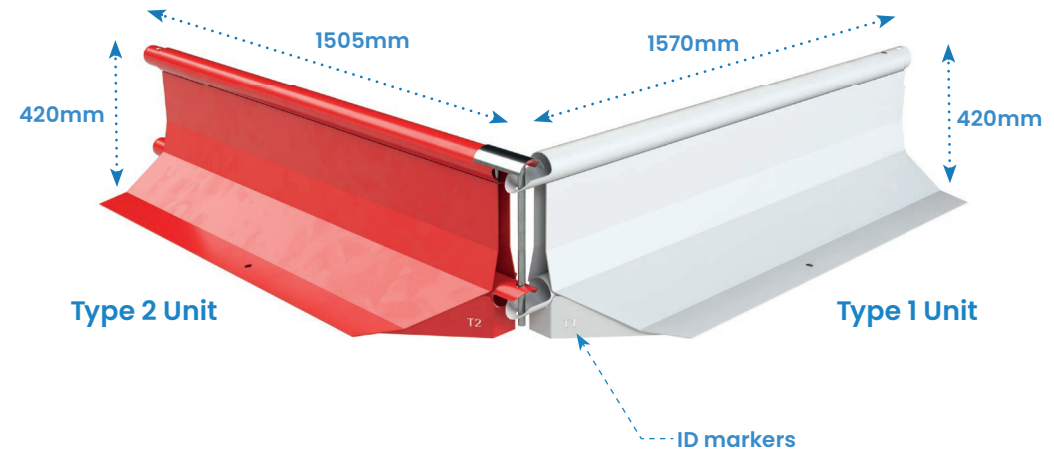
Manta Barrier 90° with fence



Manta Barrier Type 1 Unit in red

## Key Features

- > Easy connection brackets
- > 45° angled body to allow for 90° angle when joined
- > Fence add-ons can still be used with angled sections
- > Perfect for forming pedestrian walkways and construction site access areas
- > Identification markers for easy install



## Manta Barrier Corners Specification

Type	Height (mm)	Width (mm)	Depth (mm)	Weight (kg)	Product ID
Type 1 Red	420	1570	500	43	MTS200100
Type 1 White	420	1570	500	43	MTS200105
Type 2 Red	420	1505	500	43	MTS200120
Type 2 White	420	1505	500	43	MTS200125



## Manta Barrier End Sections

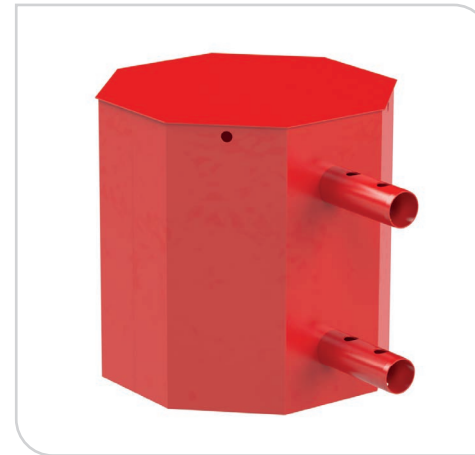
A run of Manta Barriers can be neatly finished off by using our specially designed end section unit, the finishing section is available for both male and female connections and ensures there are no unwanted edges that could potentially be hazardous.

The end section maintains the height of the standard unit and has the advantage of also being compatible with all of the available fencing add-ons. Other benefits include the end sections ability to act as a cushion absorbing impact and in turn protecting connection parts should the Manta barrier be impacted.

In addition the end section allows for a nice tidy finish to the end of a Manta Barrier run, it also has benefits due to its octagonal shape which minimises movement when in transit if stacked on its side, compared to round competitor units which are prone to excessive movement when in transit.

### Manta Barrier End Sections Specification

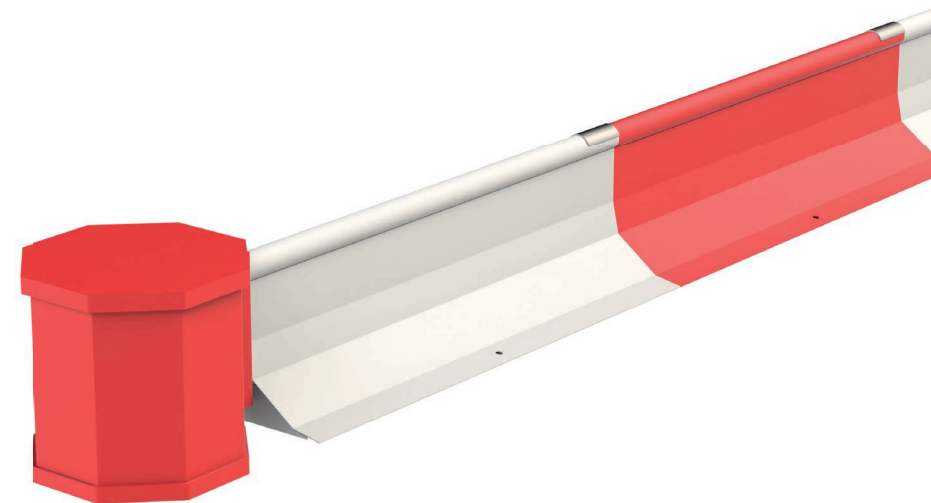
Type	Height (mm)	Width (mm)	Depth (mm)	Weight (kg)	Product ID
Male Red	500	660	490	17	MTS200180
Male White	500	660	490	17	MTS200185
Female Red	500	580	490	19	MTS200190
Female White	500	580	490	19	MTS200195



Male End Section



Female End Section





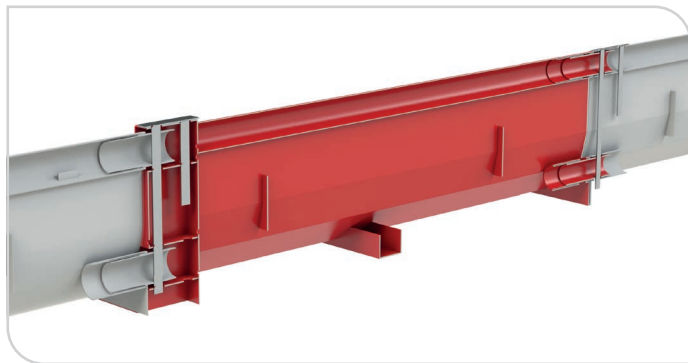
# Manta To Mass Adaptation Options

The Manta to Mass Adaptation Barrier is a robust way to fix a row of Mass barriers to a row of Manta barriers.

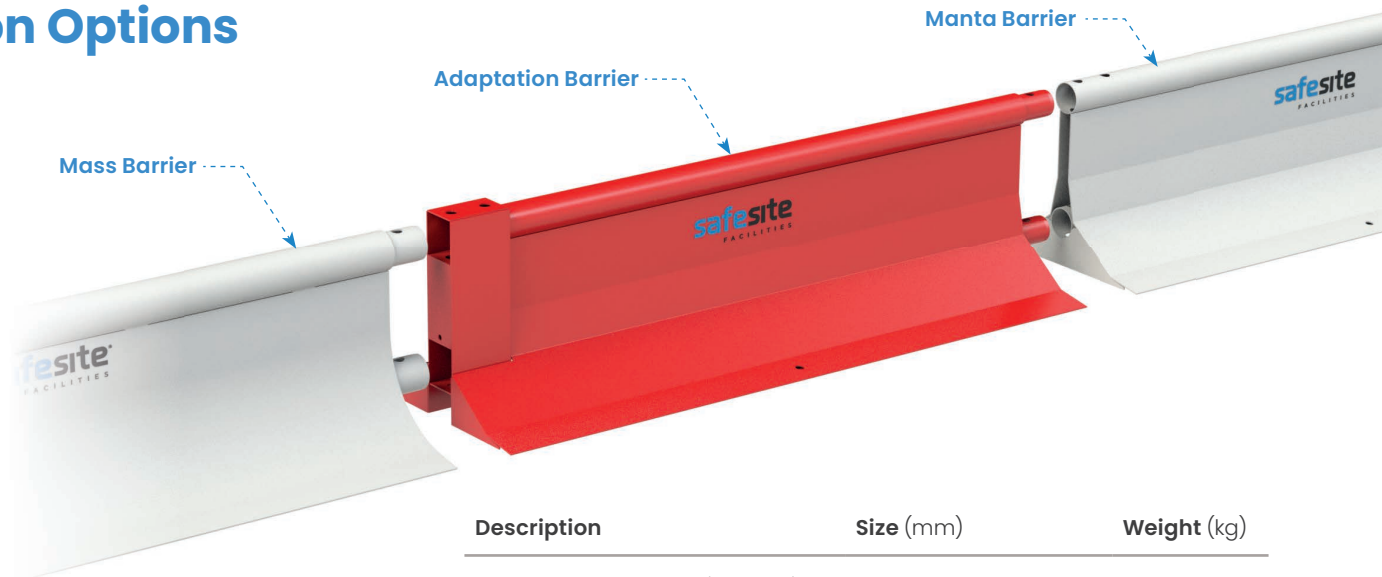
This barrier is connected via the existing pin method present in both barrier systems. Along side this it can be used with all fences that come with the barriers to ensure a seamless transition of your perimeter. The powder-coated finish ensures a professional way to segregate pedestrian traffic and visitors on your site.



Mass connected to a Manta via the Adaptation Barrier



Cut through showing the full barrier and pins in use



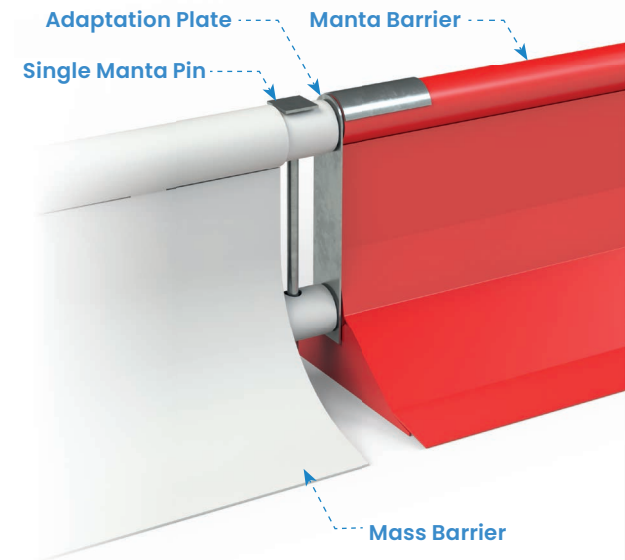
Description	Size (mm)	Weight (kg)
MTS200220 - Adaptation Barrier	H420 x W1500 x D500	46



## Manta to Mass Adaptation Plate

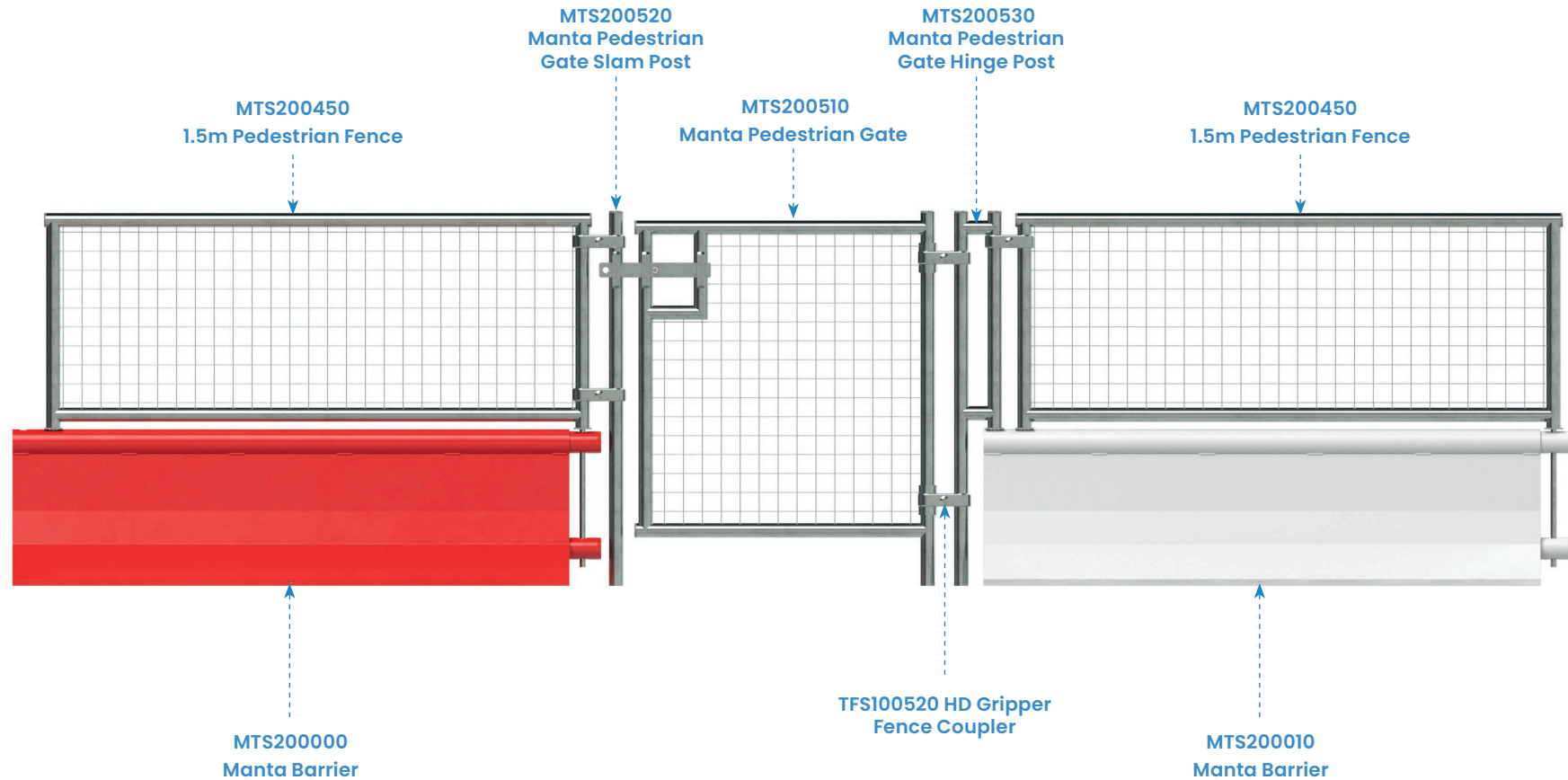
The Manta to Mass Adaptation Plate is a quick and easy way to fix a row of Mass barriers to a row of Manta barriers.

Description	Size (mm)	Weight (kg)
MTS200280 - Adaptation Plate	H388 x W315 x D80	3





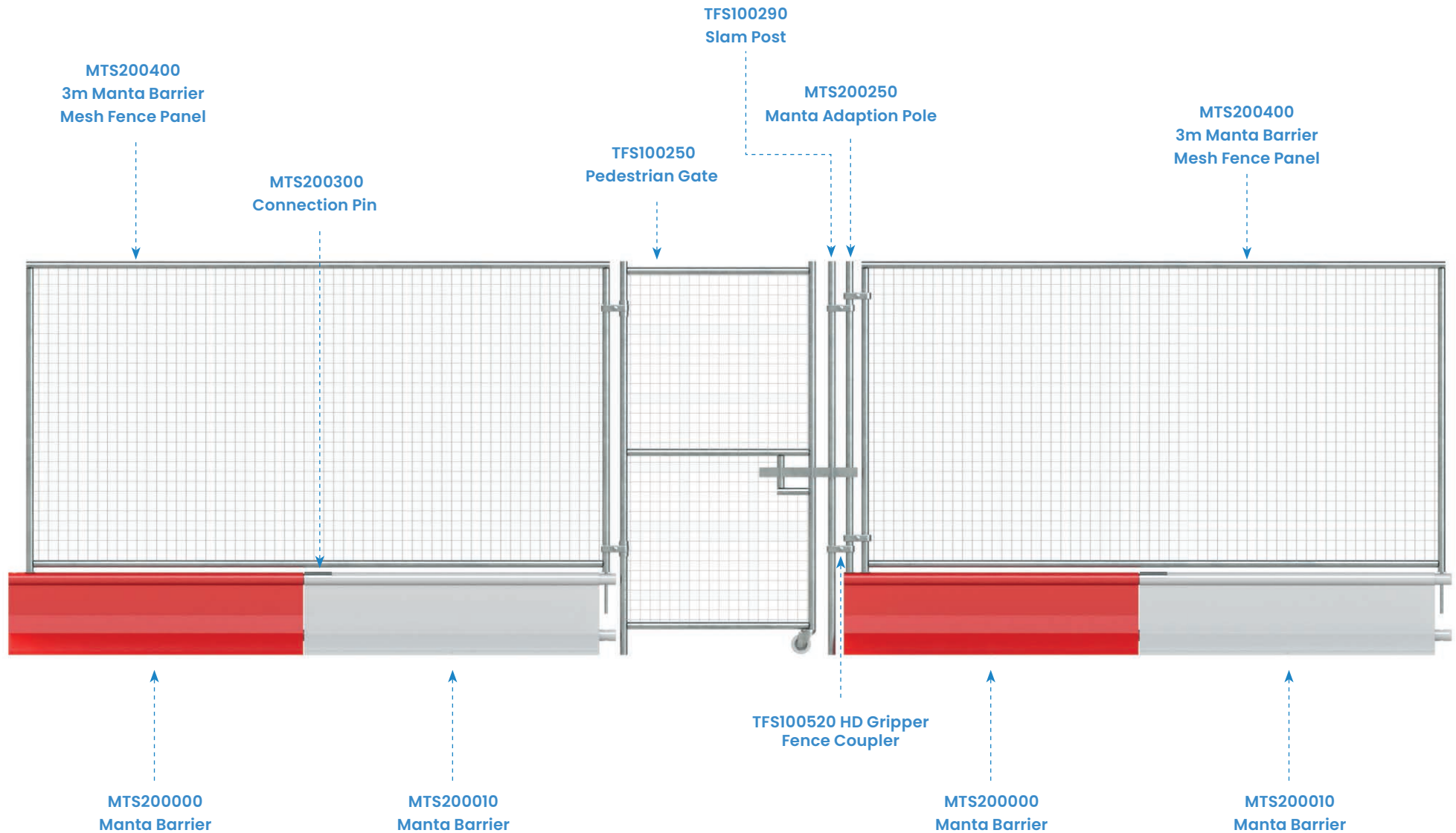
## Manta Barrier Low Pedestrian Gate and Fencing





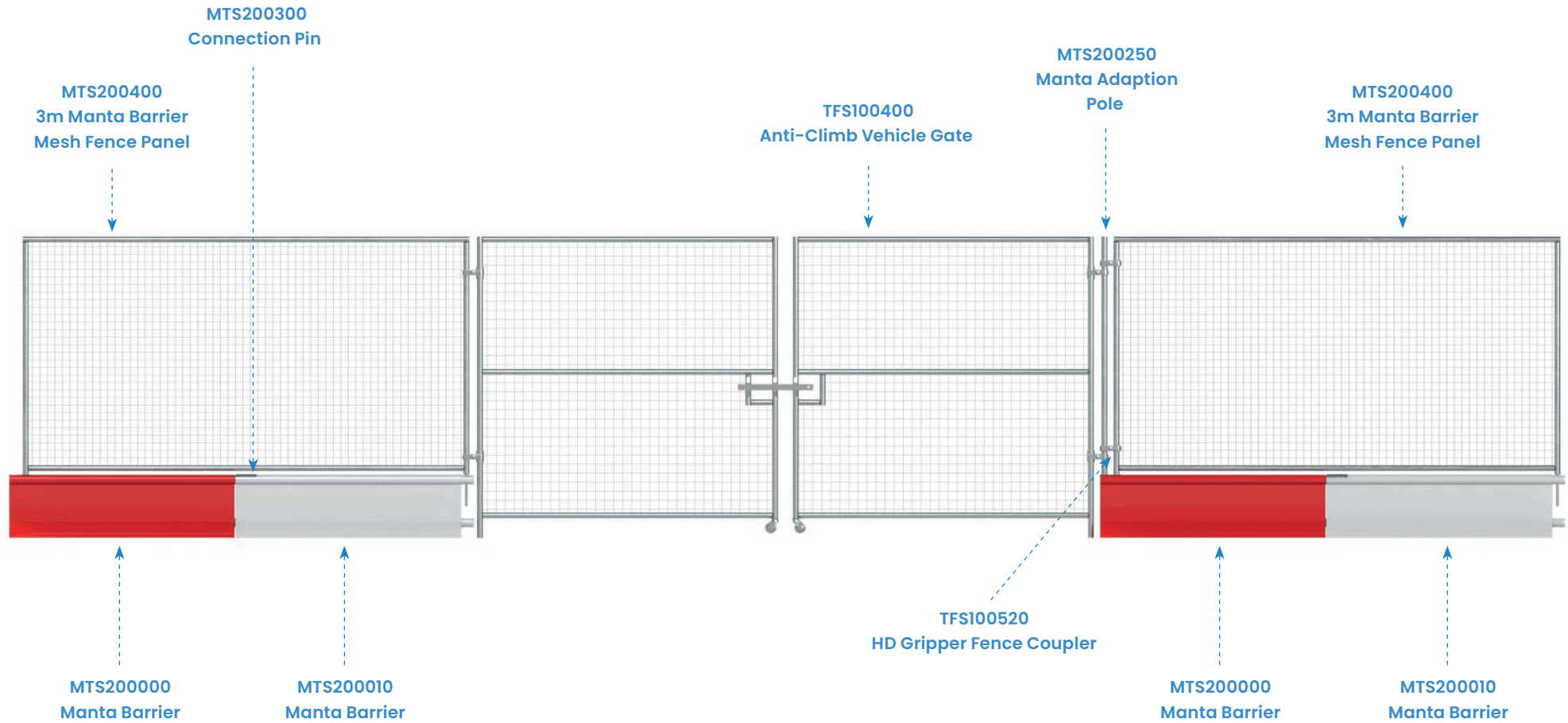


# Manta Barrier Pedestrian Gate and Fencing





# Manta Barrier Vehicle Gate and Fencing





# Installation parts

## Manta Barrier - Measurements in mm

Please see below pictures and quantities of additional parts you will receive with each Manta Barrier. The parts below are an essential safety requirement when installing the Manta correctly.

Standard part

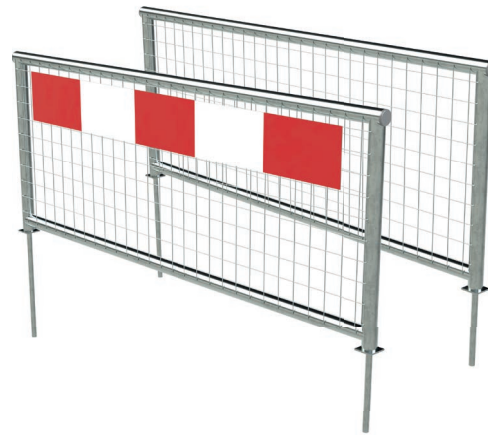
1 Qty 1: Connecting pin



<b>Product ID</b>	MTS200300
<b>Height (mm)</b>	380
<b>Width (mm)</b>	140
<b>Depth (mm)</b>	72
<b>Weight (kg)</b>	1.2

Accessory

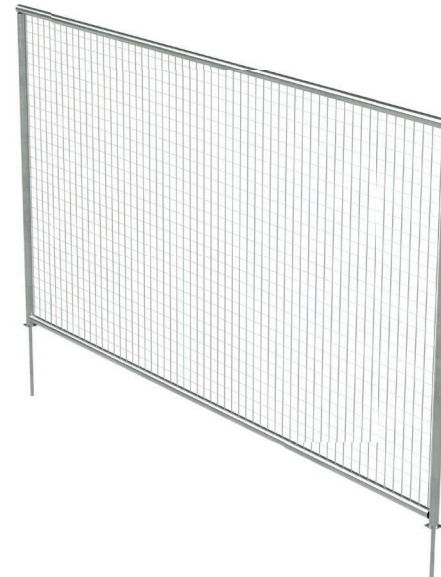
2 Qty 1: 1.5m Pedestrian Fences



<b>Product ID</b>	MTS200450 & MTS200500 (Hi-Vis)
<b>Height (mm)</b>	580
<b>Width (mm)</b>	1463
<b>Depth (mm)</b>	38
<b>Weight (kg)</b>	6

Accessory

3 Qty 1: 3m Fence - 1 panel per 2 Barriers (1 Connection Pin Required)



<b>Product ID</b>	MTS200400
<b>Height (mm)</b>	1580
<b>Width (mm)</b>	2968
<b>Depth (mm)</b>	38
<b>Weight (kg)</b>	15

Accessory

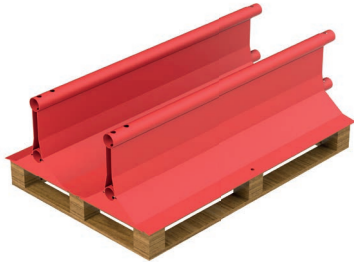
4 Qty 1: Standard Coupler (1 per 1.5m pedestrian fence, 2 per 3m fence)



<b>Product ID</b>	TFS100500
<b>Height (mm)</b>	50
<b>Width (mm)</b>	130
<b>Depth (mm)</b>	52
<b>Weight (kg)</b>	0.2



1



Please be aware the Manta Barriers measure 1.5m in length and will therefore slightly overhang the 1.2m pallet they are to be placed onto, this overhang is acceptable within these guidelines.

Place two Manta Barriers side by side so the inner edge of each foot touches the opposing barrier. Each barrier should align at both ends.

When together the barriers should take a central placement on top of the pallet.

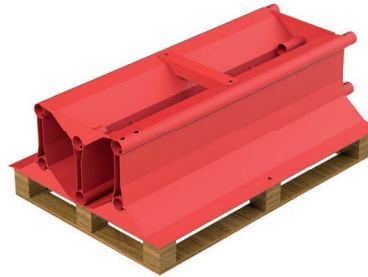
4



Carefully place a further two Manta Barriers side by side onto the previously placed pallet wood so that the inner edge of each foot touches the opposing barrier, each barrier should align top and side with the stacked barriers below.

When together both the barriers should take a central placement in relation to the bottom barriers and pallet.

2

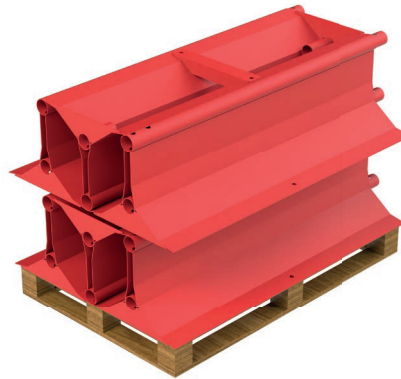


Insert one Manta Barrier upside down to fit inside the empty void that was created from the placement of the previous two barriers.

The feet of this barrier should be evenly supported by the heads of the previous two barriers and also align with the ends of the previous two barriers.

The exposed base of this barrier must be even and level in readiness for the next processes.

5

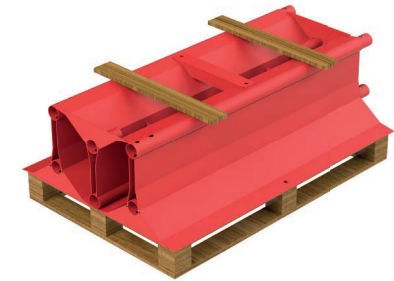


Now one last barrier must be carefully placed on top of the last two barriers to fit inside the empty void that was created.

The feet of this barrier should be evenly supported by the heads of the previous two barriers, and also align with the ends of the previous two barriers.

The exposed base of this barrier must be even and level in readiness for the next processes.

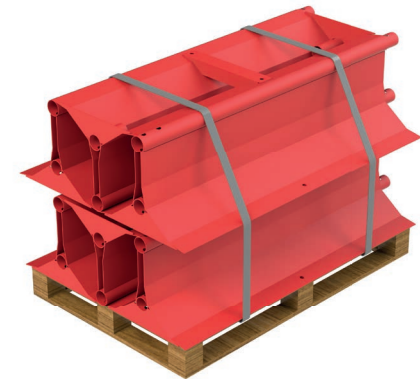
3



Two additional lengths of pallet wood must now be placed onto the flat base of the previously positioned barrier.

These lengths of wood should be placed approximately 15cm within each end of the three stacked barriers, and be placed in such a way the centre of the wood is central to the base of the third barrier and parallel to the pallet beneath.

6



Now a check must be carried out to ensure all of the stacked barriers are evenly balanced, stable and level.

Once this check is successfully completed the whole stack must be secured by heavy duty polypropylene pallet strapping to run from the underside of the pallets top level, all the way around the six stacked barriers. Two rings of strapping must be applied approximately one quarter distance from each end of the stacked barriers.